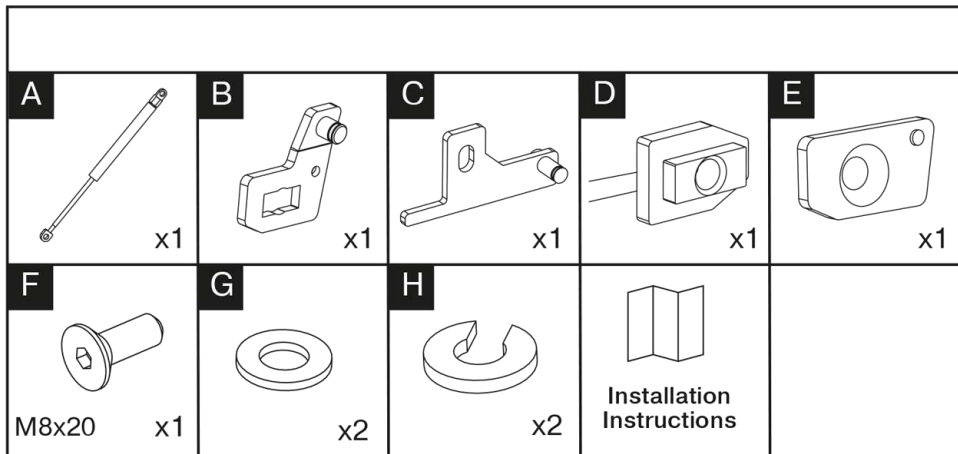


Mitsubishi L200

TAILGATE STRUT KIT
Installation Instructions



Model year:	2016-
Part No.:	2AB.ST.4010.1
Compatibility:	all types
Weight:	⚖️ 1 kg
Installation time:	🕒 30 min



Required Tools

